

Agilent HFBR-5720L/5720LP Fibre Channel 2.125/1.0625 GBd 850 nm Small Form Pluggable Low Voltage (3.3 V) Optical Transceiver Data Sheet



Description

The HFBR-5720L optical transceiver from Agilent Technologies offers maximum flexibility to Fibre Channel designers, manufacturers, and system integrators to implement a range of solutions for multimode Fibre Channel applications. In order to provide a wide range of system level performance, without the need for a data rate select input, this product is fully compliant with all equipment meeting the Fibre Channel FC-PI 200-M5-SN-I and 200-M6-SN-I 2.125 GBd specifications, and is compatible with the Fibre Channel FC-PI 100-M5-SN-I and FC-PI 100-M6-SN-I, FC-PH2 100-M5-SN-I, and the FC-PH2 100-M6-SN-I 1.0625 GBd specifications.

Module Package

The transceiver meets the Small Form Pluggable (SFP) industry standard package utilizing an integral LC-Duplex optical interface connector. The hot-pluggable capability of the SFP package

allows the module to be installed at any time – even with the host system operating and on-line. This allows for system configuration changes or maintenance without system down time. The HFBR-5720L uses a reliable 850 nm VCSEL source and requires a 3.3 V DC power supply for optimal design.

Module Diagrams

Figure 1 illustrates the major functional components of the HFBR-5720L. The connection diagram of the module is shown in Figure 2. Figure 7 depicts the external configuration and dimensions of the module.

Installation

The HFBR-5720L can be installed in or removed from any MultiSource Agreement (MSA)-compliant Small Form Pluggable port regardless of whether the host equipment is operating or not. The module is simply inserted, electrical interface first, under finger pressure. Controlled

Features

- Compliant with 2.125 GBd Fibre Channel FC-PI standard
- FC-PI 200-M5-SN-I for 50/125 μm multimode cables
- FC-PI 200-M6-SN-I for 62.5/125 μm multimode cables
- Compliant with 1.0625 GBd VCSEL operation for both 50/125 and 62.5/125 μm multimode cables
- Industry standard Small Form Pluggable (SFP) package
- LC-Duplex connector optical interface
- Link lengths at 2.125 GBd:
0.5 to 300 m – 50/125 μm MMF
0.5 to 150 m – 62.5/125 μm MMF
- Link lengths at 1.0625 GBd:
0.5 to 500 m – 50/125 μm MMF
0.5 to 300 m – 62.5/125 μm MMF
- Reliable 850 nm Vertical Cavity Surface Emitting Laser (VCSEL) source technology
- Laser AEL Class 1 (eye safe) per: US 21 CFR (J) EN-60825-1 (+A11+A2)
- Single 3.3 V power supply operation
- De-latch options:
 - HFBR-5720L standard de-latch
 - HFBR-5720LP extended de-latch

Applications

- Mass storage system I/O
- Computer system I/O
- High speed peripheral interface
- High speed switching systems
- Host adapter I/O
- RAID cabinets

Related Products

- HFBR-5602: 850 nm 5 V Gigabit Interface Converter (GBIC) for Fibre Channel FC-PH-2
- HFBR-53D3: 850 nm 5 V 1 x 9 laser transceiver for Fibre Channel FC-PH-2
- HFBR-5910E: 850 nm 3.3 V SFF laser transceiver for Fibre Channel FC-PH-2
- HDMP-2630/2631: 2.125/1.0625 Gbps TRx family of SerDes IC



hot-plugging is ensured by design and by 3-stage pin sequencing at the electrical interface. The module housing makes initial contact with the host board EMI shield mitigating potential damage due to Electro-Static Discharge (ESD). The 3-stage pin

contact sequencing involves (1) Ground, (2) Power, and then (3) Signal pins, making contact with the host board surface mount connector in that order. This printed circuit board card-edge connector is depicted in Figure 2.

Serial Identification (EEPROM)
 The HFBR-5720L complies with an industry standard MSA that defines the serial identification protocol. This protocol uses the 2-wire serial CMOS E2PROM protocol of the ATMEL AT24C01A or equivalent. The

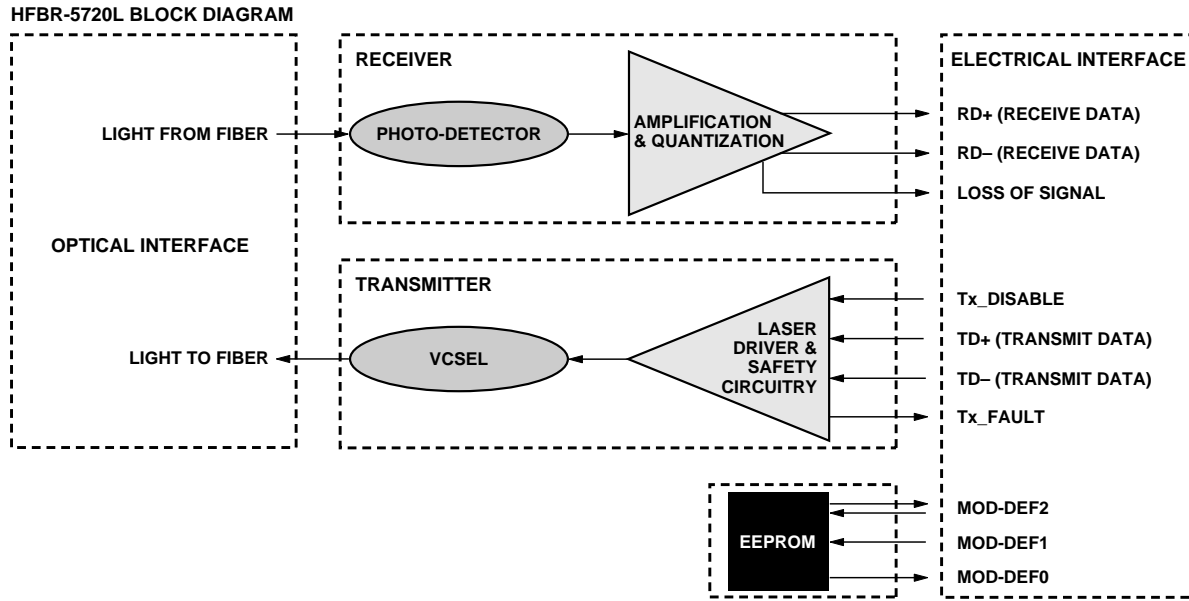


Figure 1. Transceiver functional diagram.

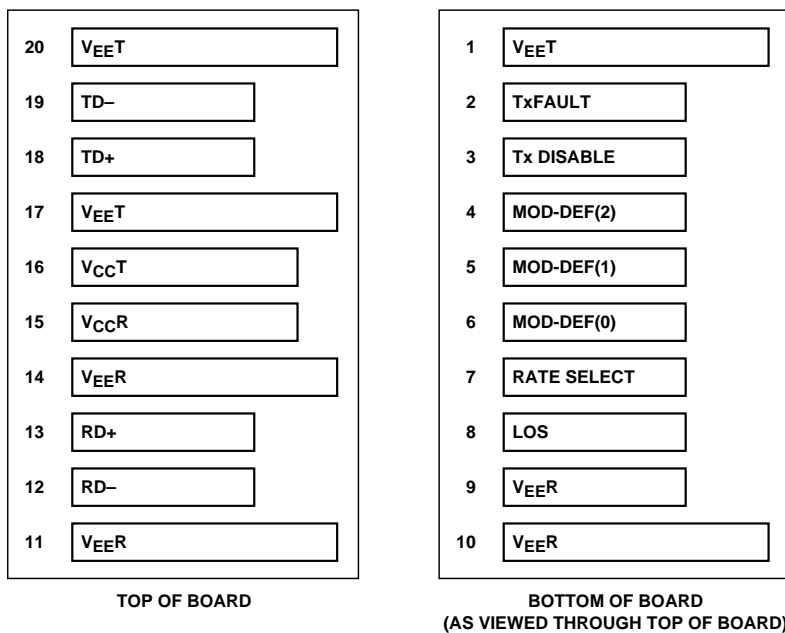


Figure 2. Connection diagram of module printed circuit board.

contents of the HFBR-5720L serial ID memory are defined in Table 10 as specified in the SFP MSA.

Transmitter Section

The transmitter section includes the transmitter optical subassembly (TOSA) and laser driver circuitry. The TOSA, containing an 850 nm VCSEL (Vertical Cavity Surface Emitting Laser) light source, is located at the optical interface and mates with the LC optical connector. The TOSA is driven by a custom silicon IC, which converts differential logic signals into an analog laser diode drive current. This Tx driver circuit regulates the optical power at a constant level provided the data pattern is valid 8B/10B balanced code.

Tx Disable

The HFBR-5720L accepts a transmit disable control signal input which shuts down the transmitter. A high signal implements this function while a low signal allows normal laser operation. In the event of a fault (e.g., eye safety circuit activated), cycling this control signal resets the module as depicted in Figure 6. The Tx Disable control should be actuated upon initialization of the module.

Tx Fault

The HFBR-5720L module features a transmit fault control signal output which when high indicates a laser transmit fault has occurred and when low indicates normal laser operation. A transmitter fault condition can be caused by deviations from the recommended module operating conditions or by violation of eye safety conditions. A fault is cleared by cycling the Tx Disable control input.

Eye Safety Circuit

For an optical transmitter device to be eye-safe in the event of a single fault failure, the transmitter will either maintain normal eye-safe operation or be disabled. In the event of an eye safety fault, the VCSEL will be disabled.

Receiver Section

The receiver section includes the receiver optical subassembly (ROSA) and amplification/quantization circuitry. The ROSA, containing a PIN photodiode and custom transimpedance preamplifier, is located at the optical interface and mates with the LC optical connector. The ROSA is mated to a custom IC that provides post-amplification and quantization. This circuit also

includes a loss of signal (LOS) detection circuit which provides an open collector logic high output in the absence of a usable input optical signal level.

Loss of Signal

The Loss of Signal (LOS) output indicates that the optical input signal to the receiver does not meet the minimum detectable level for Fibre Channel compliant signals. When LOS is high it indicates loss of signal. When LOS is low it indicates normal operation. The Loss of Signal thresholds are set to indicate a definite optical fault has occurred (e.g., disconnected or broken fiber connection to receiver, failed transmitter).

Functional Data I/O

Agilent’s HFBR-5720L fiber-optic transceiver is designed to accept industry standard differential signals. In order to reduce the number of passive components required on the customer’s board, Agilent has included the functionality of the transmitter bias resistors and coupling capacitors within the fiber optic module. The transceiver is compatible with an “AC-coupled” configuration and is internally terminated. Figure 1 depicts the functional diagram of the HFBR-5720L.

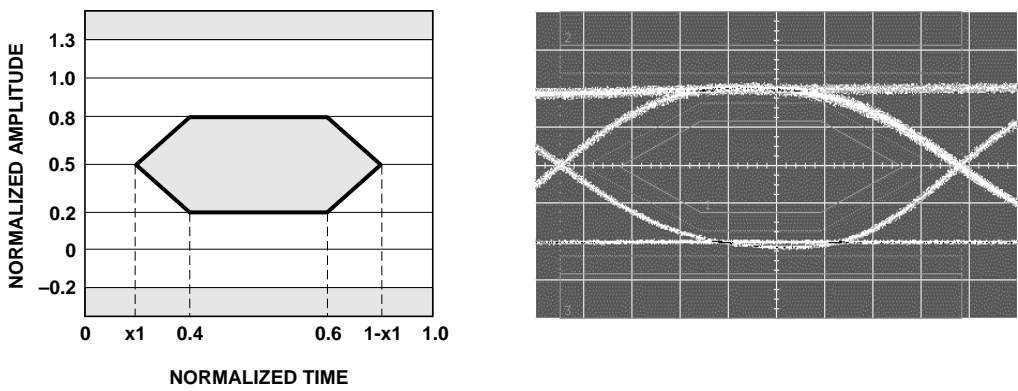


Figure 3. Transmitter eye mask diagram and typical transmitter eye.

Caution should be taken for the proper interconnection between the supporting Physical Layer integrated circuits and the HFBR-5720L. Figure 4 illustrates the recommended interface circuit.

Several MSA compliant control data signals are implemented in the module and are depicted in Figure 6.

Application Support

Evaluation Kit

To help you in your preliminary transceiver evaluation, Agilent offers a 2.125 GBd Fibre Channel evaluation board. This board will allow testing of the fiber-optic VCSEL transceiver. Please contact your local field sales representative for availability and ordering details.

Reference Designs

Reference designs for the HFBR-5720L fiber-optic transceiver and the HDMP-2630/2631 physical layer IC are available to assist the equipment designer. Figure 4 depicts a typical application configuration, while Figure 5 depicts the MSA power supply filter circuit design. All artwork is available at the Agilent Website. Please contact your local field sales engineer for more information regarding application tools.

Regulatory Compliance

See Table 1 for transceiver Regulatory Compliance performance. The overall equipment design will determine the certification level. The transceiver performance is offered as a figure of merit to assist the designer.

Electrostatic Discharge (ESD)

There are two conditions in which immunity to ESD damage is important. Table 1 documents our immunity to both of these

conditions. The first condition is during handling of the transceiver prior to insertion into the transceiver port. To protect the transceiver, it is important to use normal ESD handling precautions. These precautions include using grounded wrist straps, work benches, and floor mats in ESD controlled areas. The ESD sensitivity of the HFBR-5720L is compatible with typical industry production environments. The second condition is static discharges to the exterior of the host equipment chassis after installation. To the extent that the duplex LC optical interface is exposed to the outside of the host equipment chassis, it may be subject to system-level ESD requirements. The ESD performance of the HFBR-5720L exceeds typical industry standards.

Immunity

Equipment hosting the HFBR-5720L modules will be subjected to radio-frequency electromagnetic fields in some environments. These transceivers have good immunity to such fields due to their shielded design.

Electromagnetic Interference (EMI)

Most equipment designs utilizing these high-speed transceivers from Agilent Technologies will be required to meet the requirements of FCC in the United States, CENELEC EN55022 (CISPR 22) in Europe and VCCI in Japan.

The metal housing and shielded design of the HFBR-5720L minimize the EMI challenge facing the host equipment designer. These transceivers provide superior EMI performance. This greatly assists the designer in the management

of the overall system EMI performance.

Eye Safety

These 850 nm VCSEL-based transceivers provide Class 1 eye safety by design. Agilent Technologies has tested the transceiver design for compliance with the requirements listed in Table 1 under normal operating conditions and under a single fault condition.

Flammability

The HFBR-5720L VCSEL transceiver housing is made of metal and high strength, heat resistant, chemically resistant, and UL 94V-0 flame retardant plastic.

Caution

There are no user serviceable parts nor any maintenance required for the HFBR-5720L. Tampering with or modifying the performance of the HFBR-5720L will result in voided product warranty. It may also result in improper operation of the HFBR-5720L circuitry, and possible overstress of the laser source. Device degradation or product failure may result. Connection of the HFBR-5720L to a non-approved optical source, operating above the recommended absolute maximum conditions or operating the HFBR-5720L in a manner inconsistent with its design and function may result in hazardous radiation exposure and may be considered an act of modifying or manufacturing a laser product. The person(s) performing such an act is required by law to re-certify and re-identify the laser product under the provisions of U.S. 21 CFR (Subchapter J) and the TUV.

Ordering Information

Please contact your local field sales engineer or one of the

Agilent Technologies franchised distributors for ordering information. For additional technical information associated with this product, including the MSA, please visit Agilent Technologies Semiconductor Products Website at www.agilent.com/view/fiber Use the Quick Search feature to search for this part number. Agilent Technologies Semiconductor Products Customer Response Center is also available to assist you at 1-800-235-0312.

Table 1. Regulatory Compliance

| Feature | Test Method | Performance |
|---|---|---|
| Electrostatic Discharge (ESD) to the Electrical Pins | MIL-STD-883C Method 3015.4 | Class 2 (>2000 Volts) |
| Electrostatic Discharge (ESD) to the Duplex LC Receptacle | Variation of IEC 61000-4-2 | Typically withstand at least 25 kV without damage when the duplex LC connector receptacle is contacted by a Human Body Model probe. |
| Electromagnetic Interference (EMI) | FCC Class B CENELEC EN55022 Class B (CISPR 22A) VCCI Class 1 | System margins are dependent on customer board and chassis design. |
| Immunity | Variation of IEC 61000-4-3 | Typically shows a negligible effect from a 10 V/m field swept from 80 to 1000 MHz applied to the transceiver without a chassis enclosure. |
| Eye Safety | US FDA CDRH AEL Class 1 | CDRH File # 9720151-16 (HFBR-5720L) CDRH File # Pending (HFBR-5720LP) |
| Note 1 | EN 60950 Class 1 EN (IEC) 60825-1:1994+A11+A2 EN (IEC) 60825-2:1994+A1 | TUV File # E2171216.01 (HFBR-5720L) TUV File # Pending (HFBR-5720LP) |
| Component Recognition | Underwriters Laboratories and Canadian Standards Association Joint Component Recognition for Information Technology Equipment Including Electrical Business Equipment | UL file # E173874 |

Note:

1. Units manufactured prior to August 1, 2001 were certified to the previous TUV standard EN60825-1:1994+A11.

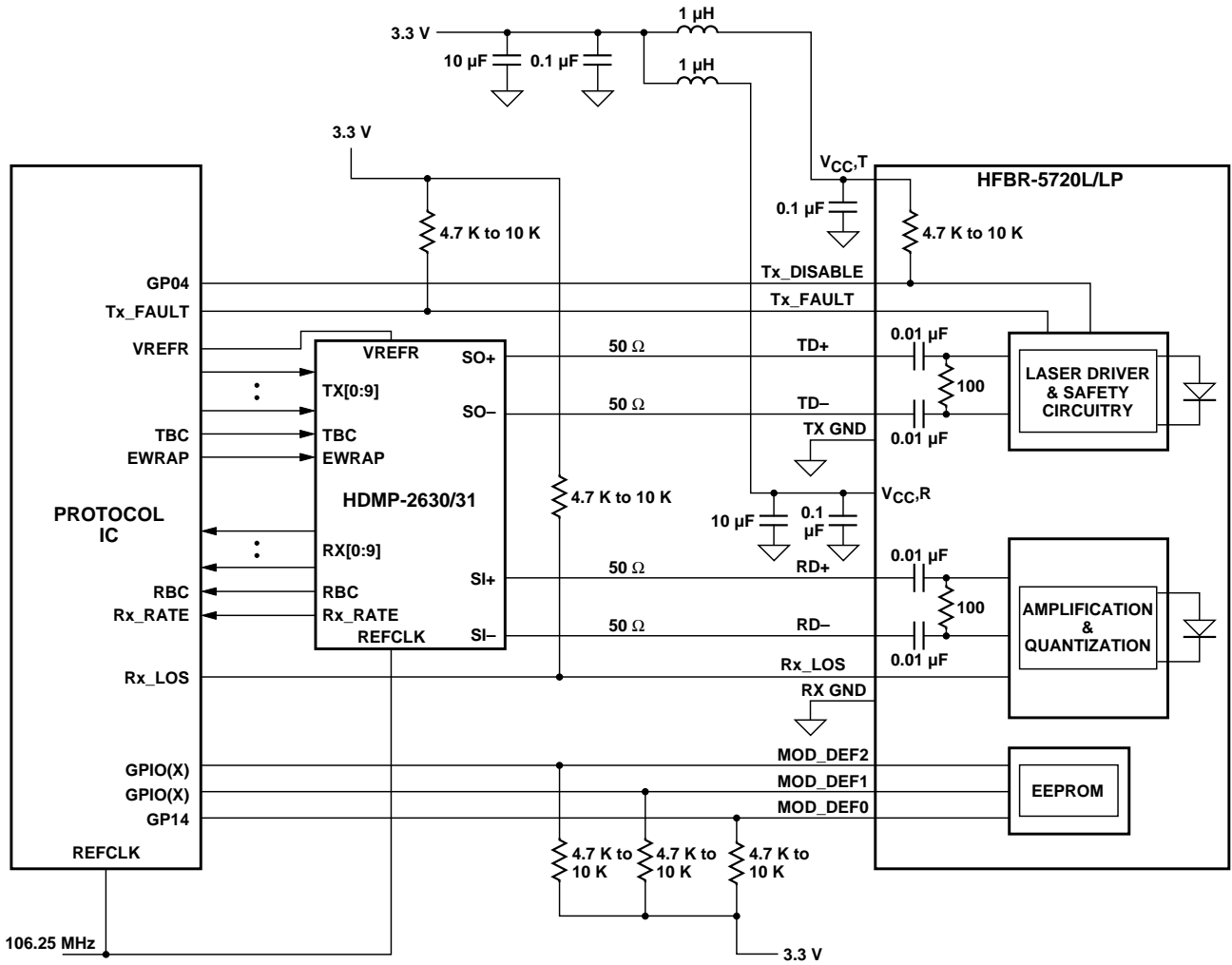
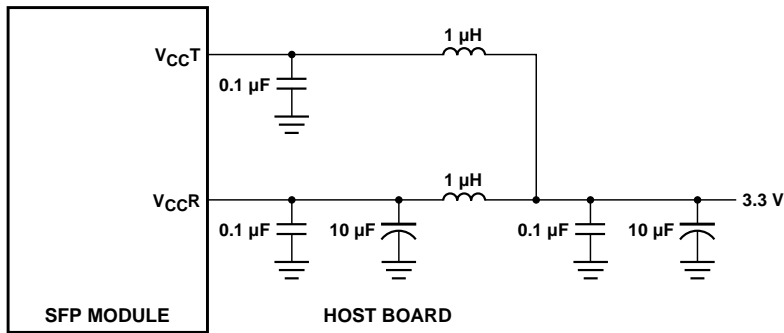


Figure 4. Recommended application configuration.



NOTE: INDUCTORS MUST HAVE LESS THAN 1 Ω SERIES RESISTANCE PER MSA.

Figure 5. MSA required power supply filter.

Table 2. Pin Description

| Pin | Name | Function/Description | MSA Notes |
|-----|-------------------|---|-----------|
| 1 | V _{ee} T | Transmitter Ground | |
| 2 | Tx Fault | Transmitter Fault Indication – High Indicates a Fault | Note 1 |
| 3 | Tx Disable | Transmitter Disable – Module Disables on High or Open | Note 2 |
| 4 | MOD-DEF2 | Module Definition 2 – Two Wire Serial ID Interface | Note 3 |
| 5 | MOD-DEF1 | Module Definition 1 – Two Wire Serial ID Interface | Note 3 |
| 6 | MOD-DEF0 | Module Definition 0 – Grounded in Module | Note 3 |
| 7 | Rate Select | Not Connected | |
| 8 | LOS | Loss of Signal – High Indicates Loss of Signal | Note 4 |
| 9 | V _{ee} R | Receiver Ground | |
| 10 | V _{ee} R | Receiver Ground | |
| 11 | V _{ee} R | Receiver Ground | |
| 12 | RD– | Inverse Received Data Out | Note 5 |
| 13 | RD+ | Received Data Out | Note 5 |
| 14 | V _{ee} R | Receiver Ground | |
| 15 | V _{CC} R | Receiver Power – 3.3 V +/- 5% | Note 6 |
| 16 | V _{CC} T | Transmitter Power – 3.3 V +/- 5% | Note 6 |
| 17 | V _{ee} T | Transmitter Ground | |
| 18 | TD+ | Transmitter Data In | Note 7 |
| 19 | TD– | Inverse Transmitter Data In | Note 7 |
| 20 | V _{ee} T | Transmitter Ground | |

Notes:

- Tx Fault is an open collector/drain output which should be pulled up externally with a 4.7 K – 10 K Ω resistor on the host board to a supply < V_{CC}T+0.3 V or V_{CC}R+0.3 V. When high, this output indicates a laser fault of some kind. Low indicates normal operation. In the low state, the output will be pulled to < 0.8 V.
- Tx disable input is used to shut down the laser output per the state table below. It is pulled up within the module with a 4.7 K – 10 K Ω resistor.

| | |
|----------------------------|----------------------|
| Low (0 – 0.8 V): | Transmitter On |
| Between (0.8 V and 2.0 V): | Undefined |
| High (2.0 – 3.465 V): | Transmitter Disabled |
| Open: | Transmitter Disabled |
- Mod-Def 0,1,2, are the module definition pins. They should be pulled up with a 4.7 K – 10 K Ω resistor on the host board to a supply less than V_{CC}T+0.3 V or V_{CC}R+0.3 V.

| |
|---|
| Mod-Def 0 is grounded by the module to indicate that the module is present |
| Mod-Def 1 is clock line of two wire serial interface for optional serial ID |
| Mod-Def 2 is data line of two wire serial interface for optional serial ID |
- LOS (Loss of Signal) is an open collector/drain output which should be pulled up externally with a 4.7 K – 10 K Ω resistor on the host board to a supply < V_{CC}T, R+0.3 V. When high, this output indicates the received optical power is below the worst case receiver sensitivity (as defined by the standard in use). Low indicates normal operation. In the low state, the output will be pulled to < 0.8 V.
- RD–/+ : These are the differential receiver outputs. They are AC coupled 100 Ω differential lines which should be terminated with 100 Ω differential at the user SERDES. The AC coupling is done inside the module and is thus not required on the host board. The voltage swing on these lines will be between 400 and 2400 mV differential (200 – 1200 mV single ended) when properly terminated.
- V_{CC}R and V_{CC}T are the receiver and transmitter power supplies. They are defined as 3.135 – 3.465 V at the SFP connector pin. The maximum supply current is 200 mA and the associated in-rush current will typically be no more than 30 mA above steady state after 500 nanoseconds.
- TD–/+ : These are the differential transmitter inputs. They are AC coupled differential lines with 100 Ω differential termination inside the module. The AC coupling is done inside the module and is thus not required on the host board. The inputs will accept differential swings of 500 – 2400 mV (250 – 1200 mV single ended), though it is recommended that values between 500 and 1200 mV differential (250 – 600 mV single ended) be used for best EMI performance. These levels are compatible with CML and LVPECL voltage swings.

Table 3. Absolute Maximum Ratings

| Parameter | Symbol | Minimum | Typical | Maximum | Unit | Notes |
|--------------------------------------|--------------|---------|---------|--------------|------|-----------|
| Storage Temperature | T_S | -40 | | 100 | °C | Note 1 |
| Case Temperature | T_C | 0 | | 85 | °C | Note 1, 2 |
| Relative Humidity | RH | 5 | | 95 | % | Note 1 |
| Module Supply Voltage | $V_{CC,T,R}$ | -0.5 | | 3.6 | V | Note 1 |
| Data/Control Input Voltage | V_I | -0.5 | | $V_{CC}+0.3$ | V | Note 1 |
| Sense Output Current – LOS, Tx Fault | I_D | | | 150 | mA | Note 1 |
| | MOD-DEF 2 | I_D | | 5.0 | mA | Note 1 |

Notes:

1. Absolute Maximum Ratings are those values beyond which damage to the device may occur if these limits are exceeded for other than a short period of time. See Reliability Data Sheet for specific reliability performance.
2. Between Absolute Maximum Ratings and the Recommended Operating Conditions functional performance is not intended, device reliability is not implied, and damage to the device may occur over an extended period of time.

Table 4. Recommended Operating Conditions

| Parameter | Symbol | Minimum | Typical | Maximum | Unit | Notes |
|-----------------------|--------------|---------|---------|---------|------|--------|
| Case Temperature | T_C | 0 | | 70 | °C | Note 1 |
| Module Supply Voltage | $V_{CC,T,R}$ | 3.135 | 3.3 | 3.465 | V | Note 1 |
| Data Rate | | | 1.0625 | | Gb/s | Note 1 |
| | | | 2.125 | | | |

Note:

1. Recommended Operating Conditions are those values outside of which functional performance is not intended, device reliability is not implied, and damage to the device may occur over an extended period of time. See Reliability Data Sheet for specific reliability performance.

Table 5. Transceiver Electrical Characteristics ($T_C = 0^\circ\text{C}$ to 70°C , $V_{CC,T,R} = 3.3\text{ V} \pm 5\%$)

| Parameter | Symbol | Minimum | Typical | Maximum | Unit | Notes |
|--|------------|---------|---------|------------------|------|--------|
| AC Electrical Characteristics | | | | | | |
| Power Supply Noise Rejection (peak-to-peak) | PSNR | | 100 | | mV | Note 1 |
| DC Electrical Characteristics | | | | | | |
| Module Supply Current | I_{CC} | | 133 | 200 | mA | |
| Power Dissipation | P_{DISS} | | 440 | 693 | mW | |
| Sense Outputs: | | | | | | |
| Transmit Fault (TX_FAULT), Loss of Signal (LOS), MOD-DEF 2 | V_{OH} | 2.0 | | $V_{CC,T,R}+0.3$ | V | Note 2 |
| | V_{OL} | | | 0.8 | V | |
| Control Inputs: | | | | | | |
| Transmitter Disable (TX_DISABLE) MOD-DEF 1,2 | V_{IH} | 2.0 | | $V_{CC,T,R}$ | V | Note 3 |
| | V_{IL} | 0 | | 0.8 | V | |

Notes:

1. MSA filter is required on host board 10 Hz to 2 MHz.
2. LVTTTL, external 4.7 – 10 K Ω pull-up resistor required.
3. LVTTTL, external 4.7 – 10 K Ω resistor required for MOD-DEF 1 and MOD-DEF 2.

Table 6. Transmitter and Receiver Electrical Characteristics ($T_C = 0^\circ\text{C}$ to 70°C , $V_{CC,T,R} = 3.3\text{ V} \pm 5\%$)

| Parameter | Symbol | Minimum | Typical | Maximum | Unit | Notes |
|---|----------|---------|---------|-------------|----------|-----------|
| Data Input: | | | | | | |
| Transmitter Differential Input Voltage (TD +/-) | V_1 | 400 | | 2400 | mV | Note 1 |
| Data Output: | | | | | | |
| Receiver Differential Output Voltage (RD +/-) | V_0 | 400 | 735 | 2000 | mV | Note 2 |
| Contributed Deterministic Jitter (Receiver) 2.125 Gb/s | DJ | | | 0.1 47 | UI ps | Note 3, 6 |
| Contributed Deterministic Jitter (Receiver) 1.0625 Gb/s | DJ | | | 0.12 113 | UI ps | Note 3, 6 |
| Contributed Random Jitter (Receiver) 2.125 Gb/s | RJ | | | 0.162 76 | UI ps | Note 4, 6 |
| Contributed Random Jitter (Receiver) 1.0625 Gb/s | RJ | | | 0.098 92 | UI ps | Note 4, 6 |
| Receive Data Rise and Fall Times (Receiver) | T_{rf} | | | 250 | ps | Note 5 |

Notes:

- Internally AC coupled and terminated (100 Ohm differential). These levels are compatible with CML and LVPECL voltage swings.
- Internally AC coupled with an external 100 Ohm differential load termination.
- Contributed DJ is measured on an oscilloscope in average mode with 50% threshold and K28.5 pattern.
- Contributed RJ is calculated for 1×10^{-12} BER by multiplying the RMS jitter (measured on a single rise or fall edge) from the oscilloscope by 14. Per the FC-PI standard (Table 13 – MM Jitter Output, note 1), the actual contributed RJ is allowed to increase above its limit if the actual contributed DJ decreases below its limits, as long as the component output DJ and TJ remain within their specified FC-PI maximum limits with the worst case specified component jitter input.
- 20%–80% Rise and Fall times measured with a 500 MHz signal utilizing a 1010 data pattern.
- In a network link, each component's output jitter equals each component's input jitter combined with each component's contributed jitter. Contributed DJ adds in a linear fashion and contributed RJ adds in a RMS fashion. In the Fibre Channel FC-PI Rev 11 specification "6.3.3 MM Jitter Budget" section, there is a table specifying the input and output DJ and TJ for the receiver at each data rate. In that table, RJ is found from $TJ - DJ$ where the Rx input jitter is noted as Gamma R and the Rx output jitter is noted as Delta R. Our component contributed jitter is such that, if the maximum specified input jitter is present, and is combined with our maximum contributed jitter, then we meet the specified maximum output jitter in the FC-PI MM jitter specification table.

Table 7. Transmitter Optical Characteristics ($T_C = 0^\circ\text{C}$ to 70°C , $V_{CC,T,R} = 3.3\text{ V} \pm 5\%$)

| Parameter | Symbol | Minimum | Typical | Maximum | Unit | Notes |
|--|------------------------|---------|---------|---------|---------------|-------------------------------------|
| Output Optical Power (Average) | P _{out} | -10 | -6.3 | -1.5 | dBm | 50/125 μm , NA = 0.2 |
| | P _{out} | -10 | -6.2 | -1.5 | dBm | 62.5/125 μm , NA = 0.275 |
| Optical Extinction Ratio | ER | | 9 | | dB | |
| Optical Modulation Amplitude (Peak-to-Peak) 2.125 Gb/s | OMA | 196 | 392 | | μW | FC-PI Std Note 1 |
| Optical Modulation Amplitude (Peak-to-Peak) 1.0625 Gb/s | OMA | 156 | 350 | | μW | FC-PI Std Note 2 |
| Center Wavelength | λ_C | 830 | | 860 | nm | FC-PI Std |
| Spectral Width – rms | σ | | | 0.85 | nm | FC-PI Std |
| Optical Rise/Fall Time | T _{rise/fall} | | | 150 | ps | 20% – 80%, FC-PI Std |
| RIN ₁₂ (OMA), maximum | RIN | | | -117 | dB/Hz | FC-PI Std |
| Contributed Deterministic Jitter (Transmitter) 2.125 Gb/s | DJ | | | 0.12 | UI | Note 3, 5 |
| | | | | 56 | ps | |
| Contributed Deterministic Jitter (Transmitter) 1.0625 Gb/s | DJ | | | 0.09 | UI | Note 3, 5 |
| | | | | 85 | ps | |
| Contributed Random Jitter (Transmitter) 2.125 Gb/s | RJ | | | 0.134 | UI | Note 4, 5 |
| | | | | 63 | ps | |
| Contributed Random Jitter (Transmitter) 1.0625 Gb/s | RJ | | | 0.177 | UI | Note 4, 5 |
| | | | | 167 | ps | |
| P _{out} TX_DISABLE Asserted | P _{OFF} | | | -35 | dBm | |

Notes:

1. An OMA of 196 is approximately equal to an average power of -9 dBm assuming an Extinction Ratio of 9 dB.
2. An OMA of 156 is approximately equal to an average power of -10 dBm assuming an Extinction Ratio of 9 dB.
3. Contributed DJ is measured on an oscilloscope in average mode with 50% threshold and K28.5 pattern.
4. Contributed RJ is calculated for 1×10^{-12} BER by multiplying the RMS jitter (measured on a single rise or fall edge) from the oscilloscope by 14. Per the FC-PI standard (Table 13 – MM Jitter Output, note 1), the actual contributed RJ is allowed to increase above its limit if the actual contributed DJ decreases below its limits, as long as the component output DJ and TJ remain within their specified FC-PI maximum limits with the worst case specified component jitter input.
5. In a network link, each component's output jitter equals each component's input jitter combined with each component's contributed jitter. Contributed DJ adds in a linear fashion and contributed RJ adds in a RMS fashion. In the Fibre Channel FC-PI Rev 11 specification "6.3.3 MM Jitter Budget" section, there is a table specifying the input and output DJ and TJ for the receiver at each data rate. In that table, RJ is found from $TJ - DJ$ where the Rx input jitter is noted as Gamma R and the Rx output jitter is noted as Delta R. Our component contributed jitter is such that, if the maximum specified input jitter is present, and is combined with our maximum contributed jitter, then we meet the specified maximum output jitter in the FC-PI MM jitter specification table.

Table 8. Receiver Optical Characteristics ($T_C = 0^\circ\text{C}$ to 70°C , $V_{CC,T,R} = 3.3\text{ V} \pm 5\%$)

| Parameter | Symbol | Minimum | Typical | Maximum | Unit | Notes |
|--|-------------|---------|---------|---------|---------------|--|
| Optical Power | PIN | | | 0 | dBm | FC-PI Std |
| Min. Optical Modulation Amplitude (Peak-to-Peak) 2.125 Gb/s | OMA | 49 | 16 | | μW | FC-PI Std Note 1 |
| Min. Optical Modulation Amplitude (Peak-to-Peak) 1.0625 Gb/s | OMA | 31 | 18 | | μW | FC-PI Std Note 2 |
| Stressed Receiver Sensitivity (OMA) 2.125 Gb/s | | 96 | 33 | | μW | 50 μm fiber, FC-PI Std |
| | | 109 | 25 | | μW | 62.5 μm fiber, FC-PI Std Note 3 |
| Stressed Receiver Sensitivity (OMA) 1.0625 Gb/s | | 55 | 19 | | μW | 50 μm fiber, FC-PI Std |
| | | 67 | 16 | | μW | 62.5 μm fiber, FC-PI Std Note 4 |
| Return Loss | | 12 | | | dB | FC-PI Std |
| Loss of Signal – Assert | P_A | -31 | | -17.5 | dBm | Note 5 |
| Loss of Signal – De-Assert | P_D | | | -17.0 | dBm | Note 5 |
| Loss of Signal Hysteresis | $P_D - P_A$ | 0.5 | 2.3 | 5 | dB | |

Notes:

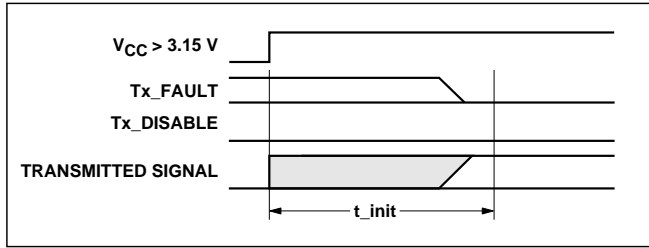
1. An OMA of 49 μW is approximately equal to an average power of -15 dBm, and the OMA typical of 16 μW is approximately equal to an average power of -20 dBm, assuming an Extinction Ratio of 9 dB. Sensitivity measurements are made at eye center with a BER = $10\text{E}-12$.
2. An OMA of 31 is approximately equal to an average power of -17 dBm assuming an Extinction Ratio of 9 dB.
3. 2.125 Gb/s Stressed receiver vertical eye closure penalty (ISI) min. is 1.26 dB for 50 μm fiber and 2.03 dB for 62.5 μm fiber. Stressed receiver DCD component min. (at TX) is 40 ps.
4. 1.0625 Gb/s Stressed receiver vertical eye closure penalty (ISI) min. is 0.96 dB for 50 μm fiber and 2.18 dB for 62.5 μm fiber. Stressed receiver DCD component min. (at TX) is 80 ps.
5. These average power values are specified with an Extinction Ratio of 9 dB. The loss of Signal circuitry responds to OMA (peak to peak) power, not to average power.

Table 9. Transceiver Timing Characteristics ($T_C = 0^\circ\text{C}$ to 70°C , $V_{CC,T,R} = 3.3\text{ V} \pm 5\%$)

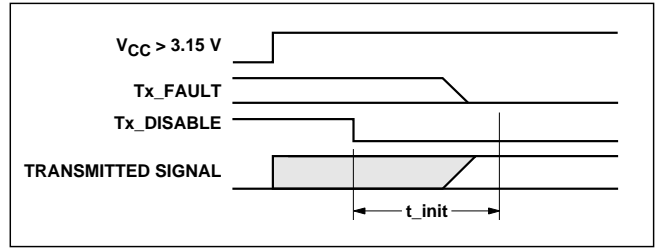
| Parameter | Symbol | Minimum | Maximum | Unit | Notes |
|---|------------------------|---------|---------|---------------|--------|
| Tx Disable Assert Time | t_{off} | | 10 | μs | Note 1 |
| Tx Disable Negate Time | t_{on} | | 1 | ms | Note 2 |
| Time to Initialize, Including Reset of Tx_Fault | t_{init} | | 300 | ms | Note 3 |
| Tx Fault Assert Time | t_{fault} | | 100 | μs | Note 4 |
| Tx Disable to Reset | t_{reset} | 10 | | μs | Note 5 |
| LOS Assert Time | $t_{\text{loss_on}}$ | | 100 | μs | Note 6 |
| LOS Deassert Time | $t_{\text{loss_off}}$ | | 100 | μs | Note 7 |
| Serial ID Clock Rate | f-serial-clock | | 100 | kHz | |

Notes:

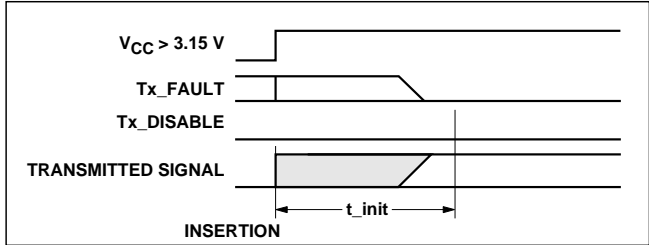
1. Time from rising edge of Tx Disable to when the optical output falls below 10% of nominal.
2. Time from falling edge of Tx Disable to when the modulated optical output rises above 90% of nominal.
3. From power on or negation of Tx Fault using Tx Disable.
4. Time from fault to Tx fault on.
5. Time Tx Disable must be held high to reset Tx_Fault.
6. Time from LOS transition to Rx LOS assert per Figure 6.
7. Time from non-LOS transition to Rx LOS deassert per Figure 6.



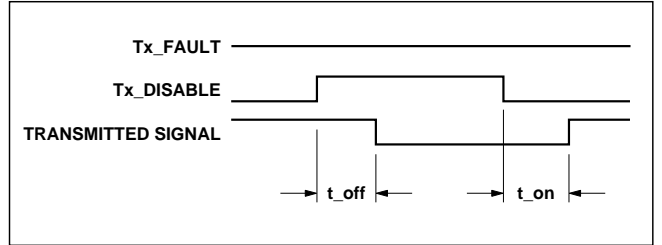
t-init: TX DISABLE NEGATED



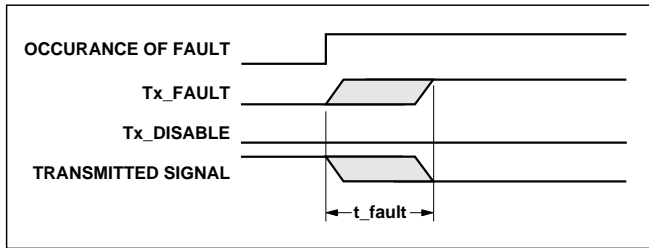
t-init: TX DISABLE ASSERTED



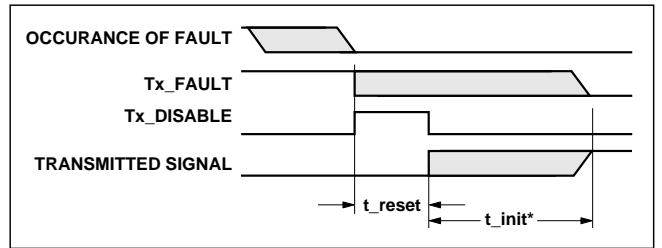
t-init: TX DISABLE NEGATED, MODULE HOT PLUGGED



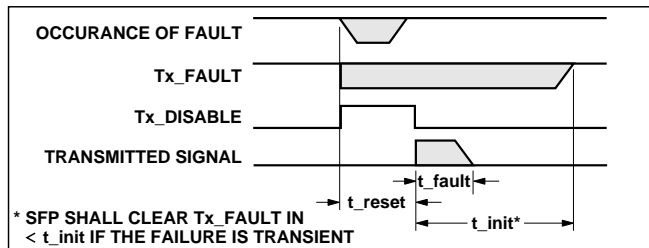
t-off & t-on: TX DISABLE ASSERTED THEN NEGATED



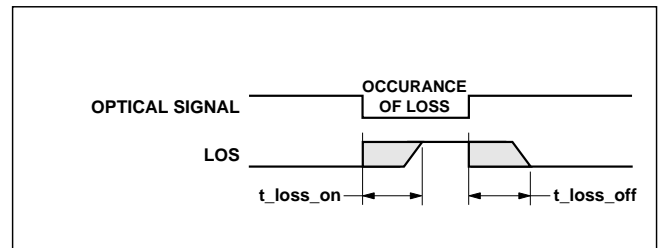
t-fault: TX FAULT ASSERTED, TX SIGNAL NOT RECOVERED



t-reset: TX DISABLE ASSERTED THEN NEGATED, TX SIGNAL RECOVERED



t-fault: TX DISABLE ASSERTED THEN NEGATED, TX SIGNAL NOT RECOVERED



t-loss-on & t-loss-off

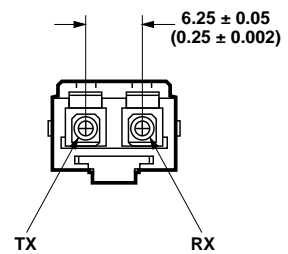
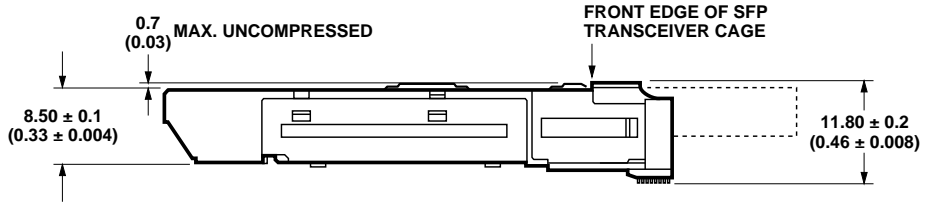
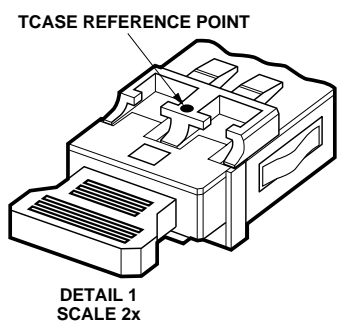
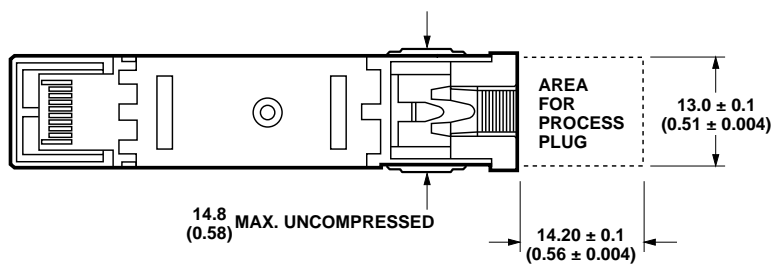
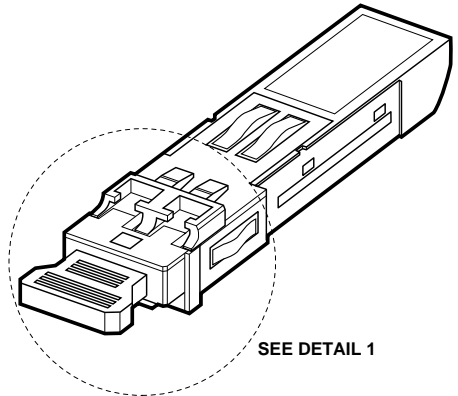
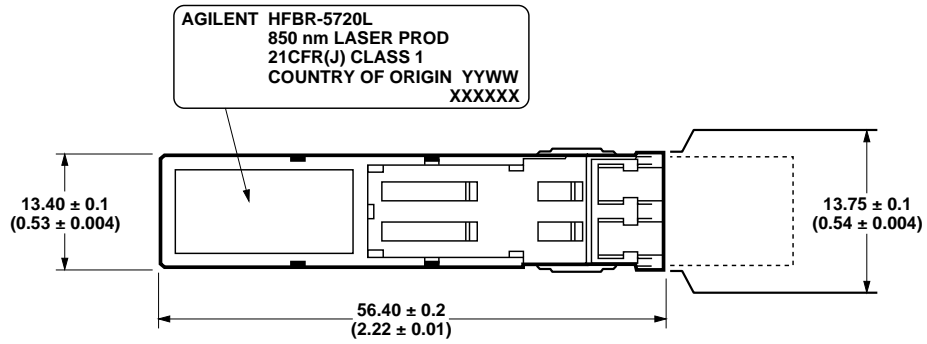
Figure 6. Transceiver timing diagrams (module installed except where noted).

Table 10. EEPROM Serial ID Memory Contents

| Address | Hex | ASCII | Address | Hex | ASCII | Address | Hex | ASCII | Address | Hex | ASCII |
|---------|-----|-------|---------|--------|-------|---------|--------|-------|---------|-----|-------|
| 0 | 03 | | 40 | 48 | H | 68 | Note 1 | | 96 | | |
| 1 | 04 | | 41 | 46 | F | 69 | Note 1 | | 97 | | |
| 2 | 07 | | 42 | 42 | B | 70 | Note 1 | | 98 | | |
| 3 | 00 | | 43 | 52 | R | 71 | Note 1 | | 99 | | |
| 4 | 00 | | 44 | 2D | – | 72 | Note 1 | | 100 | | |
| 5 | 00 | | 45 | 35 | 5 | 73 | Note 1 | | 101 | | |
| 6 | 00 | | 46 | 37 | 7 | 74 | Note 1 | | 102 | | |
| 7 | 20 | | 47 | 32 | 2 | 75 | Note 1 | | 103 | | |
| 8 | 40 | | 48 | 30 | 0 | 76 | Note 1 | | 104 | | |
| 9 | 0C | | 49 | 4C | L | 77 | Note 1 | | 105 | | |
| 10 | 05 | | 50 | 20 | | 78 | Note 1 | | 106 | | |
| 11 | 01 | | 51 | 20 | | 79 | Note 1 | | 107 | | |
| 12 | 15 | | 52 | 20 | | 80 | Note 1 | | 108 | | |
| 13 | 00 | | 53 | 20 | | 81 | Note 1 | | 109 | | |
| 14 | 00 | | 54 | 20 | | 82 | Note 1 | | 110 | | |
| 15 | 00 | | 55 | 20 | | 83 | Note 1 | | 111 | | |
| 16 | 1E | | 56 | 20 | | 84 | Note 2 | | 112 | | |
| 17 | 0F | | 57 | 20 | | 85 | Note 2 | | 113 | | |
| 18 | 00 | | 58 | 20 | | 86 | Note 2 | | 114 | | |
| 19 | 00 | | 59 | 20 | | 87 | Note 2 | | 115 | | |
| 20 | 41 | A | 60 | 00 | | 88 | Note 2 | | 116 | | |
| 21 | 47 | G | 61 | 00 | | 89 | Note 2 | | 117 | | |
| 22 | 49 | I | 62 | 00 | | 90 | Note 2 | | 118 | | |
| 23 | 4C | L | 63 | Note 3 | | 91 | Note 2 | | 119 | | |
| 24 | 45 | E | 64 | 00 | | 92 | 00 | | 120 | | |
| 25 | 4E | N | 65 | 1A | | 93 | 00 | | 121 | | |
| 26 | 54 | T | 66 | 00 | | 94 | 00 | | 122 | | |
| 27 | 20 | | 67 | 00 | | 95 | Note 3 | | 123 | | |
| 28 | 20 | | | | | | | | 124 | | |
| 29 | 20 | | | | | | | | 125 | | |
| 30 | 20 | | | | | | | | 126 | | |
| 31 | 20 | | | | | | | | 127 | | |
| 32 | 20 | | | | | | | | | | |
| 33 | 20 | | | | | | | | | | |
| 34 | 20 | | | | | | | | | | |
| 35 | 20 | | | | | | | | | | |
| 36 | 00 | | | | | | | | | | |
| 37 | 00 | | | | | | | | | | |
| 38 | 30 | | | | | | | | | | |
| 39 | D3 | | | | | | | | | | |

Notes:

1. Address 61–83 specify a unique identifier.
2. Address 84–91 specify the date code.
3. Addresses 63 and 95 are check sums. Address 63 is the check sum for bytes 0–62 and address 95 is the check sum for bytes 64–94.



DIMENSIONS ARE IN MILLIMETERS (INCHES)

Figure 7a. Module drawing.

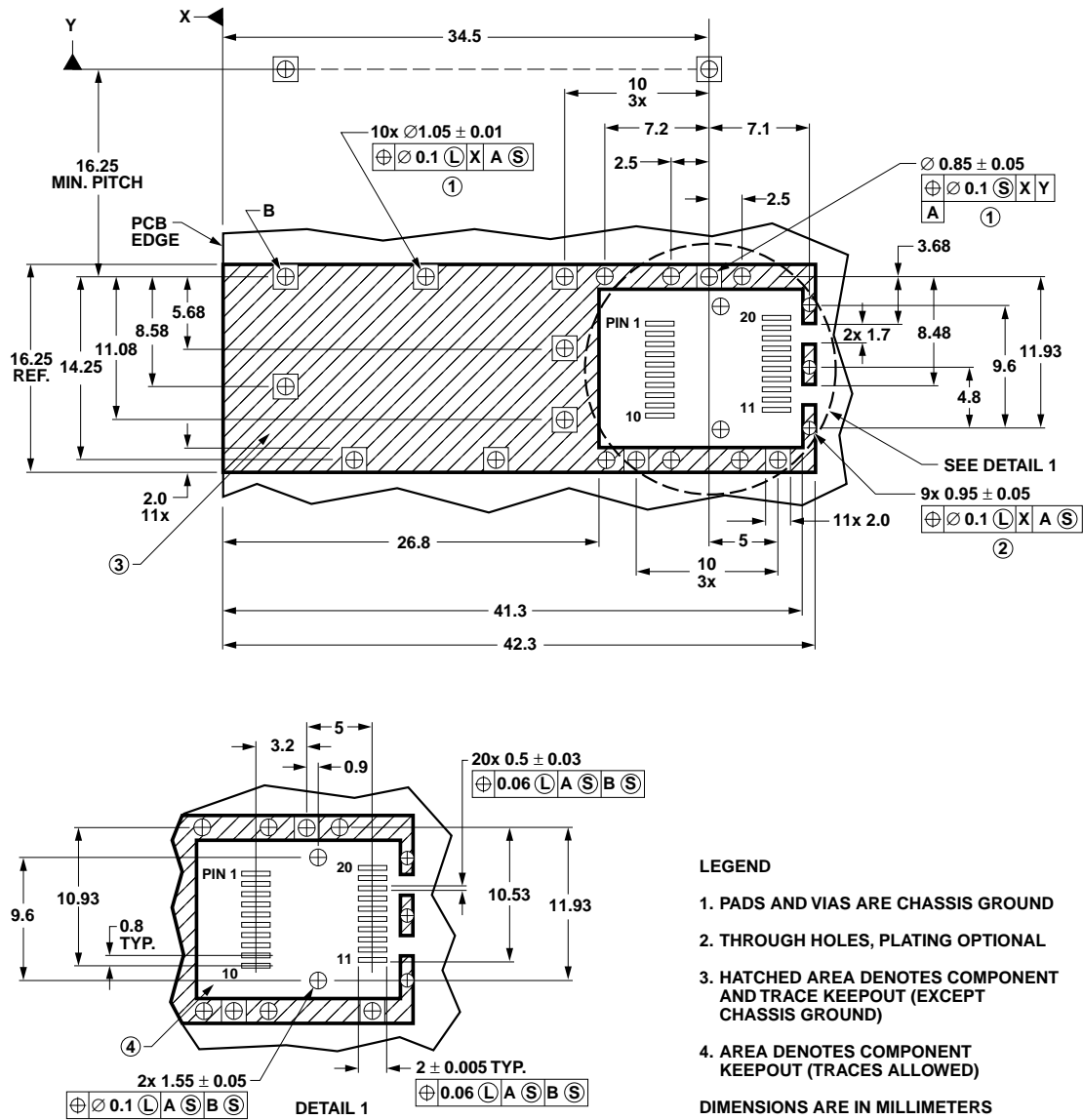


Figure 7b. SFP host board mechanical layout.

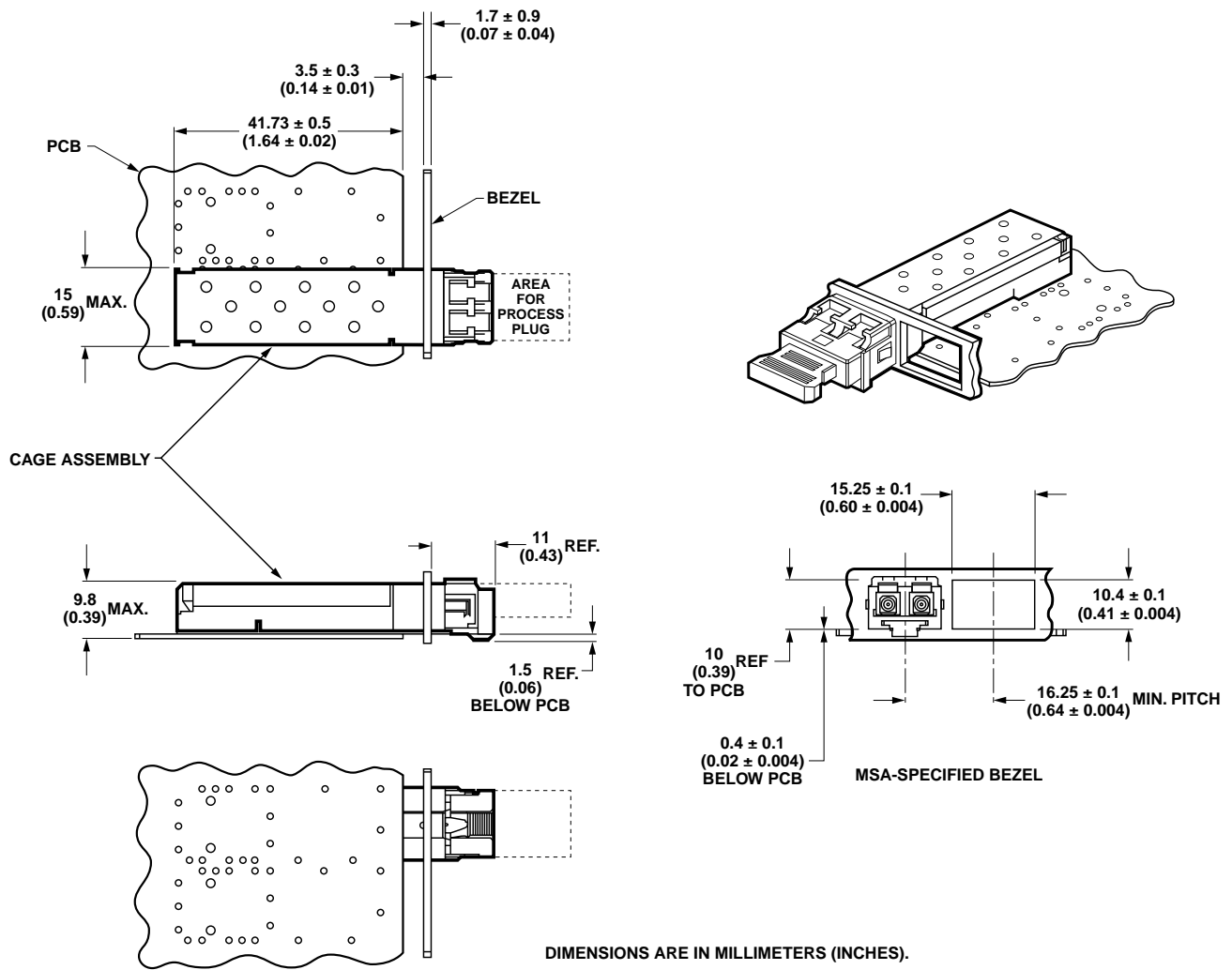


Figure 7c. Assembly drawing.